
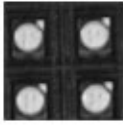




## PH12mm SMD 1by1 Indoor led display board,led panel


<b>Model</b>		<b>UNIT-P12-I/S/O/F</b>			
<b>1.LED</b>					
					
Color	Package	Intensity	View Angle	Wavelength	Test Cond.
Red	SMD 3 in 1	260-320mcd	140/140	625nm	25℃,20mA
Green	SMD 3 in 1	380-450mcd	140/140	520nm	25℃,20mA
Blue	SMD 3 in 1	90-100mcd	140/140	467nm	25℃,20mA



<b>2.LED Module</b>	
 <b>SMD 3 IN 1</b> 	
Resolution	32(H)×16(V)
Pitch	12mm
Density	6944pixels/m <sup>2</sup>
LED Arrangement	1R1G1B
Driver Mode	Dynamic 1/8 Duty constant current
Size	384mm×192mm
Mask	Pure Black mask-high contrast screen



<b>3.LED Cabinet</b>	
	
Cabinet size can be designed,Special design for easy installation	
Resolution	96 (H)×80 (V)
Size	1152 mm×960mm
Depth	150 mm
Weight	About 45kg

<b>4.Electricity Parameter</b>	
<b>Optical Ratings</b>	
Brightness	≥1200cd/m <sup>2</sup>
View Angle	140 degree ( horizontal) 140degree(vertical)
View Distance	12m-120m
Gray Scale	8bits input, correction with 14bits
Display Color	16.7M
Brightness Adjustment	100 levels
<b>Power Supply</b>	
Operation Power	AC100-240V 50-60HZ Switch-able
Maxim Power Consumption	600W/m <sup>2</sup>
Average Power Consumption	400W/m <sup>2</sup>
<b>Control System</b>	
Correction Scale Level	16bits
Frame Update Frequency	60Hz
Screen Refresh Frequency	480Hz
Gamma Correction	-5.0-5.0
Support Input	Composite Video, S-Video, DVI, HDMI., SDI, HD_SD1
Control Distance	Ethernet cable 100m, optical fiber 5km
Support VGA Mode	800×600,1024×768,1280×1024,1600×1200
Color Temperature	5000-9300 adjustable
Brightness Correction	dot by dot, module by module, cabinet by cabinet
<b>Reliability</b>	
Operating Temp.	-20-60 Celsius degree
Operating Humidity	10-95% RH
Operating Life	100,000 hours
MTBF	5000 hours
Continuous Working Time	≥48 hours
Protection Level	IP54
Out of Control Pixel Rate	0.01%

## PH12mm SMD 1by1 Indoor led display board,led panel

<b>Model</b>		<b>UNIT-P12-I/S/O/F</b>			
<b>1.LED</b>					
					
Color	Package	Intensity	View Angle	Wavelength	Test Cond.
Red	SMD 3 in 1	260-320mcd	140/140	625nm	25°C,20mA
Green	SMD 3 in 1	380-450mcd	140/140	520nm	25°C,20mA
Blue	SMD 3 in 1	90-100mcd	140/140	467nm	25°C,20mA

<b>2.LED Module</b>	
 <b>SMD 1 BY 1</b> 	
Resolution	32(H)×16(V)
Pitch	12mm
Density	6944pixels/m <sup>2</sup>
LED Arrangement	1R1G1B
Driver Mode	Dynamic 1/8 Duty constant current
Size	384mm×192mm
Mask	Pure Black mask-high contrast screen

<b>3.LED Cabinet</b>	
 	
Cabinet size can be designed,Special design for easy installation	
Resolution	96 (H)×80 (V)
Size	1152 mm×960mm
Depth	150 mm
Weight	About 45kg

<b>4.Electricity Parameter</b>	
<b>Optical Ratings</b>	
Brightness	≥1200cd/m <sup>2</sup>
View Angle	140 degree ( horizontal) 140degree(vertical)
View Distance	12m-120m
Gray Scale	8bits input, correction with 14bits
Display Color	16.7M
Brightness Adjustment	100 levels
<b>Power Supply</b>	
Operation Power	AC100-240V 50-60HZ Switch-able
Maxim Power Consumption	600W/m <sup>2</sup>
Average Power Consumption	400W/m <sup>2</sup>
<b>Control System</b>	
Correction Scale Level	16bits
Frame Update Frequency	60Hz
Screen Refresh Frequency	480Hz
Gamma Correction	-5.0-5.0
Support Input	Composite Video, S-Video, DVI, HDMI., SDI, HD_SD1
Control Distance	Ethernet cable 100m, optical fiber 5km
Support VGA Mode	800×600,1024×768,1280×1024,1600×1200
Color Temperature	5000-9300 adjustable
Brightness Correction	dot by dot, module by module, cabinet by cabinet
<b>Reliability</b>	
Operating Temp.	-20-60 Celsius degree
Operating Humidity	10-95% RH
Operating Life	100,000 hours
MTBF	5000 hours
Continuous Working Time	≥48 hours
Protection Level	IP54
Out of Control Pixel Rate	0.01%