
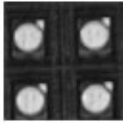





PH4mm SMD 3in1 indoor led display,led video display


Model		UNIT-P4-I/S/O/F			
1.LED					
					
Color	Package	Intensity	View Angle	Wavelength	Test Cond.
Red	SMD 3 in 1	260-320mcd	140/140	625nm	25℃,20mA
Green	SMD 3 in 1	380-450mcd	140/140	520nm	25℃,20mA
Blue	SMD 3 in 1	90-100mcd	140/140	467nm	25℃,20mA

2.LED Module	
 SMD 3 IN 1 	
Resolution	32(H)×32(V)
Pitch	4mm
Density	62500pixels/m ²
LED Arrangement	1R1G1B
Driver Mode	Dynamic 1/8 Duty constant current
Size	128mm×128mm
Mask	Pure Black mask-high contrast screen

3.LED Cabinet	
 	
Cabinet size can be designed,Special design for easy installation	
Resolution	128(H)×128(V)
Size	512 mm×512mm
Depth	150 mm
Weight	About 14kg

4.Electricity Parameter	
Optical Ratings	
Brightness	≥1500cd/m ²
View Angle	140 degree (horizontal) 140degree(vertical)
View Distance	6m-60m
Gray Scale	8bits input, correction with 14bits
Display Color	16.7M
Brightness Adjustment	100 levels
Power Supply	
Operation Power	AC100-240V 50-60HZ Switch-able
Maxim Power Consumption	5.51KW
Average Power Consumption	1.81KW
Control System	
Correction Scale Level	16bits
Frame Update Frequency	60Hz
Screen Refresh Frequency	480Hz
Gamma Correction	-5.0-5.0
Support Input	Composite Video, S-Video, DVI, HDMI., SDI, HD_SD I
Control Distance	Ethernet cable 100m, optical fiber 5km
Support VGA Mode	800×600,1024×768,1280×1024,1600×1200
Color Temperature	5000-9300 adjustable
Brightness Correction	dot by dot, module by module, cabinet by cabinet
Reliability	
Operating Temp.	-20-60 Celsius degree
Operating Humidity	10-95% RH
Operating Life	100,000 hours
MTBF	5000 hours
Continuous Working Time	≥48 hours
Protection Level	IP54
Out of Control Pixel Rate	0.01%

PH4mm SMD 1by1 Indoor led display,led business screen

Model		UNIT-P4-I/S/O/F			
1.LED					
					

Color	Package	Intensity	View Angle	Wavelength	Test Cond.
Red	SMD 3 in 1	260-320mcd	140/140	625nm	25°C,20mA
Green	SMD 3 in 1	380-450mcd	140/140	520nm	25°C,20mA
Blue	SMD 3 in 1	90-100mcd	140/140	467nm	25°C,20mA

2.LED Module	
 SMD 1 BY 1 	

Resolution	32(H)×32(V)
Pitch	4mm
Density	62500pixels/m ²
LED Arrangement	1R1G1B
Driver Mode	Dynamic 1/8 Duty constant current
Size	128mm×128mm
Mask	Pure Black mask-high contrast screen

3.LED Cabinet



Cabinet size can be designed,Special design for easy installation

Resolution	128(H)×128(V)
Size	512 mm×512mm
Depth	150 mm
Weight	About 14kg

4.Electricity Parameter	
Optical Ratings	
Brightness	≥1500cd/m ²
View Angle	140 degree (horizontal) 140degree(vertical)
View Distance	6m-60m
Gray Scale	8bits input, correction with 14bits
Display Color	16.7M
Brightness Adjustment	100 levels
Power Supply	
Operation Power	AC100-240V 50-60HZ Switch-able
Maxim Power Consumption	5.51KW
Average Power Consumption	1.81KW
Control System	
Correction Scale Level	16bits
Frame Update Frequency	60Hz
Screen Refresh Frequency	480Hz
Gamma Correction	-5.0-5.0
Support Input	Composite Video, S-Video, DVI, HDMI., SDI, HD_SD I
Control Distance	Ethernet cable 100m, optical fiber 5km
Support VGA Mode	800×600,1024×768,1280×1024,1600×1200
Color Temperature	5000-9300 adjustable
Brightness Correction	dot by dot, module by module, cabinet by cabinet
Reliability	
Operating Temp.	-20-60 Celsius degree
Operating Humidity	10-95% RH
Operating Life	100,000 hours
MTBF	5000 hours
Continuous Working Time	≥48 hours
Protection Level	IP54
Out of Control Pixel Rate	0.01%